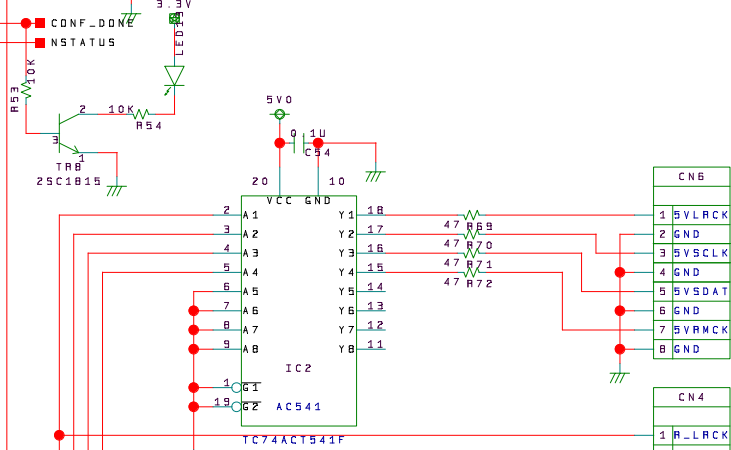
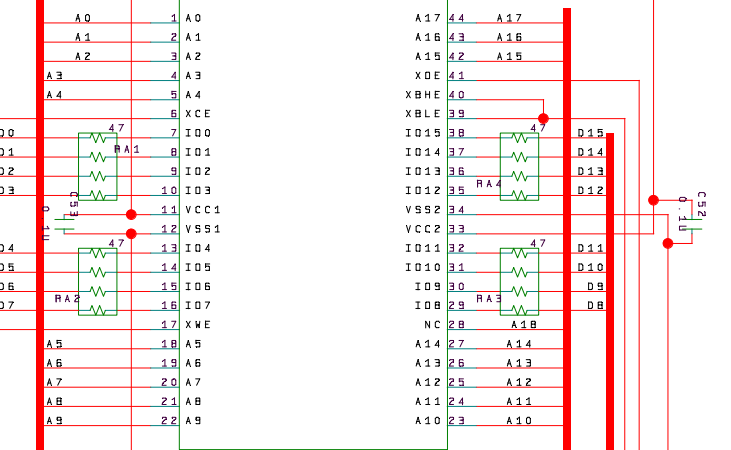
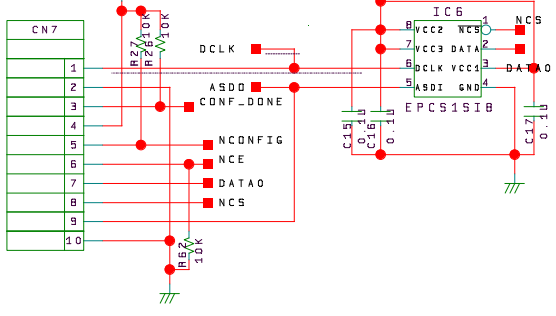


CONFIG



UNDER/OVER

- CN6
- 1 R_LRCK
- 2 GND
- 3 R_SCLK
- 4 GND
- 5 R_SDATA
- 6 GND
- 7 R_RMCK
- 8 GND

- CN4
- 1 R_LRCK
- 2 GND
- 3 L_SCLK
- 4 GND
- 5 L_SDATA
- 6 GND
- 7 L_RMCK
- 8 GND

- CN5
- 1 L_LRCK
- 2 GND
- 3 L_SCLK
- 4 GND
- 5 L_SDATA
- 6 GND
- 7 L_RMCK
- 8 GND